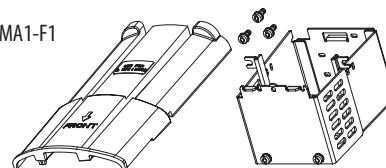


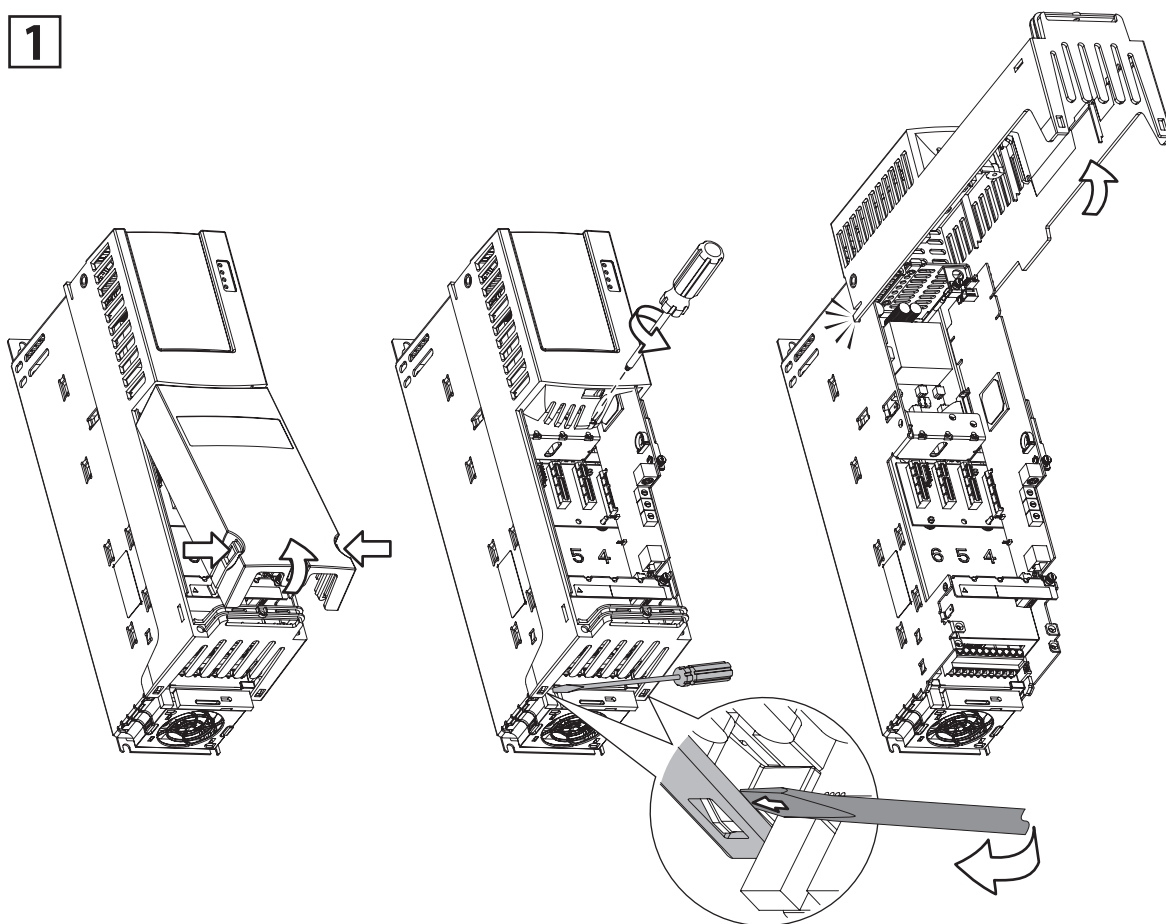
## PowerFlex 750-Series NEMA/UL Type 1 Kits – Frames 1...7

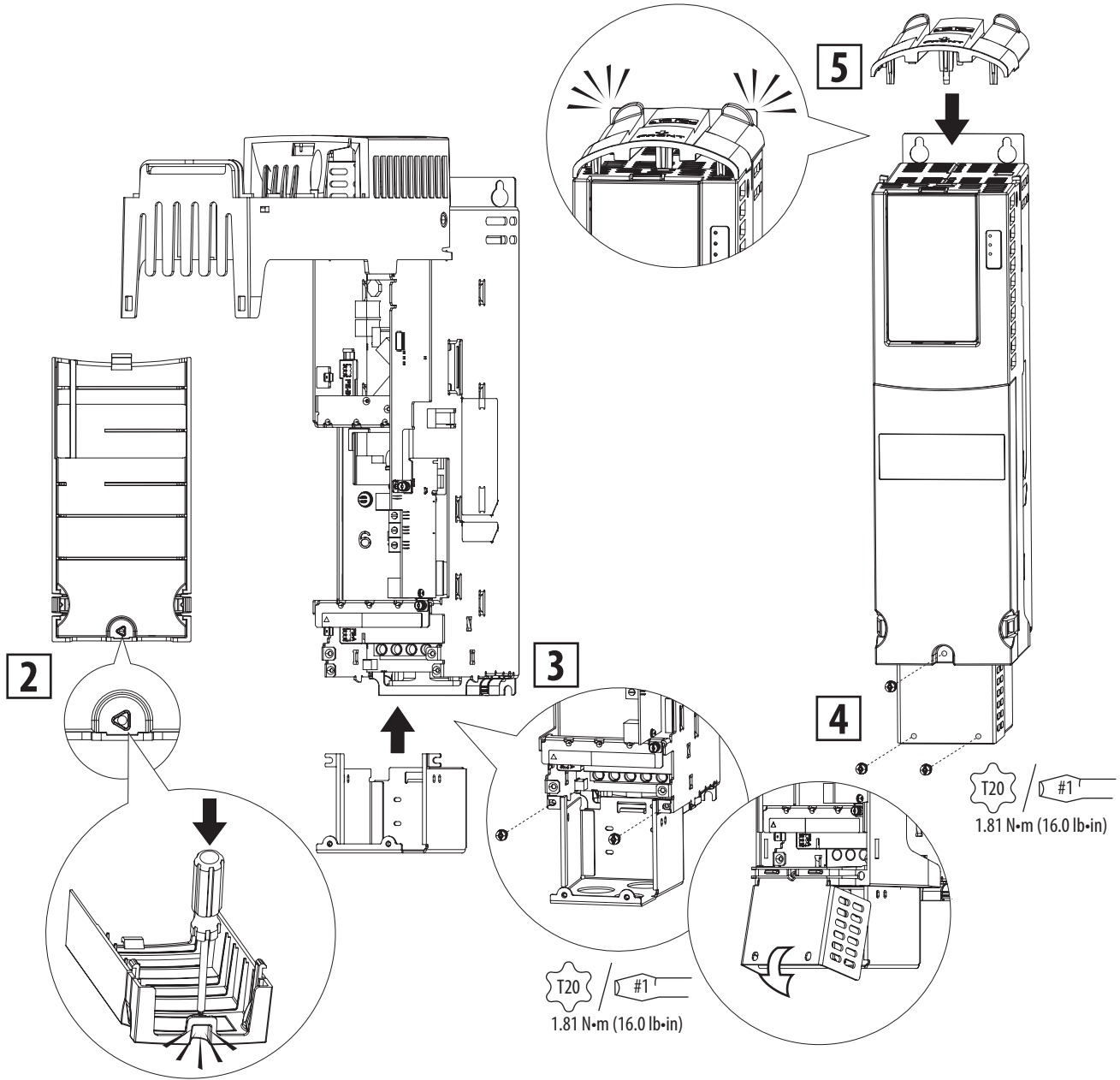
### Frame 1

20-750-NEMA1-F1



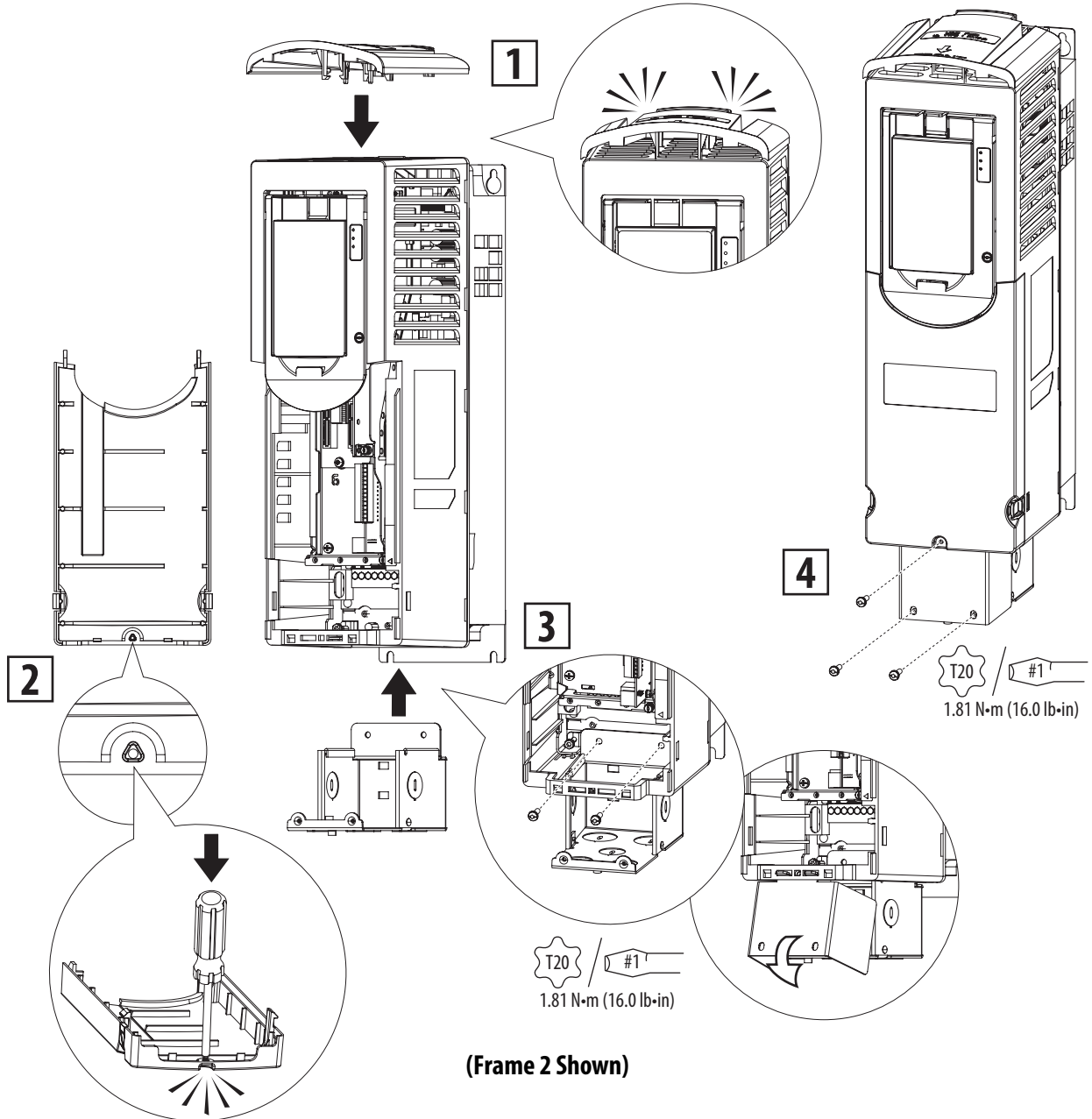
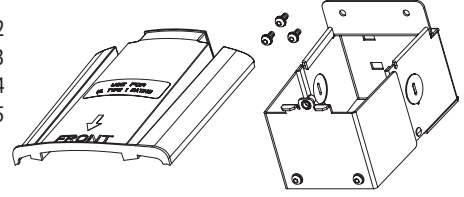
**1**





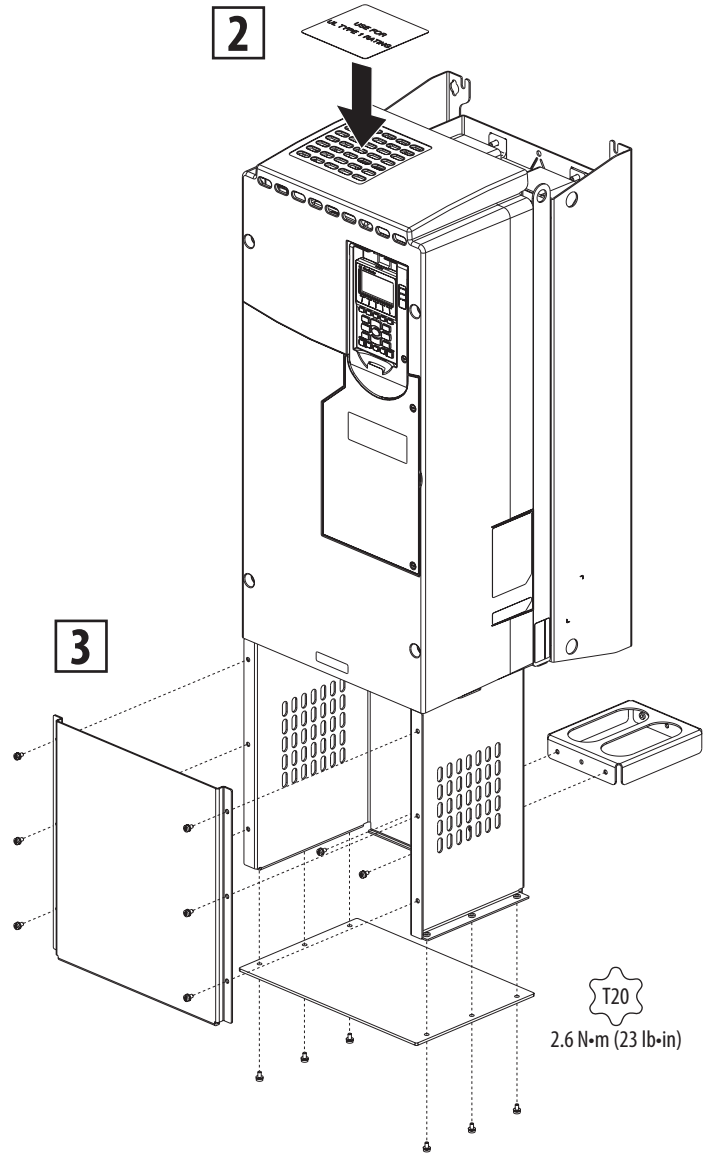
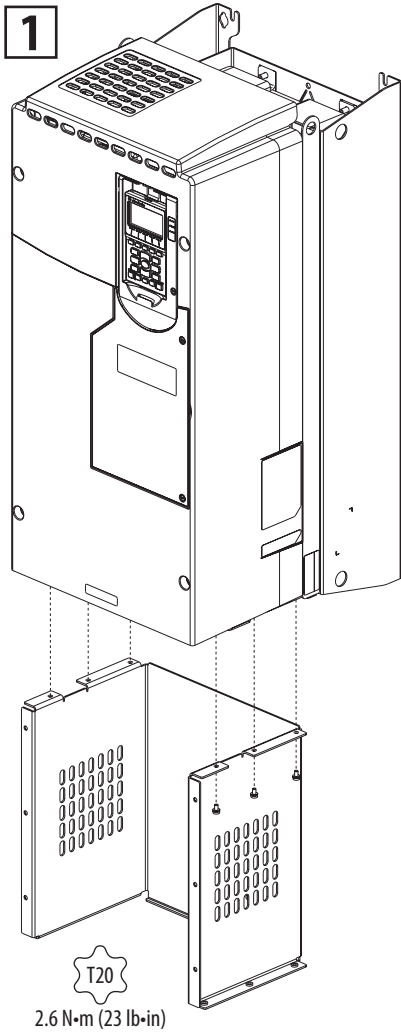
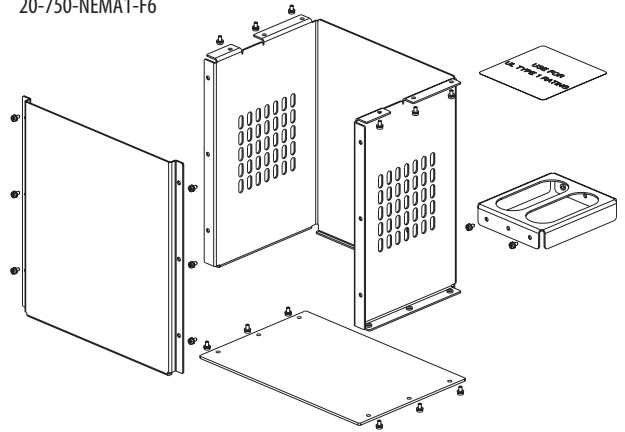
# Frames 2...5

20-750-NEMA1-F2  
20-750-NEMA1-F3  
20-750-NEMA1-F4  
20-750-NEMA1-F5



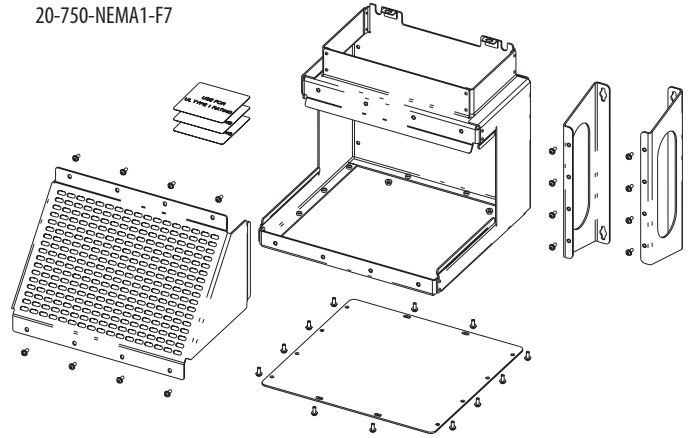
# Frame 6

20-750-NEMA1-F6

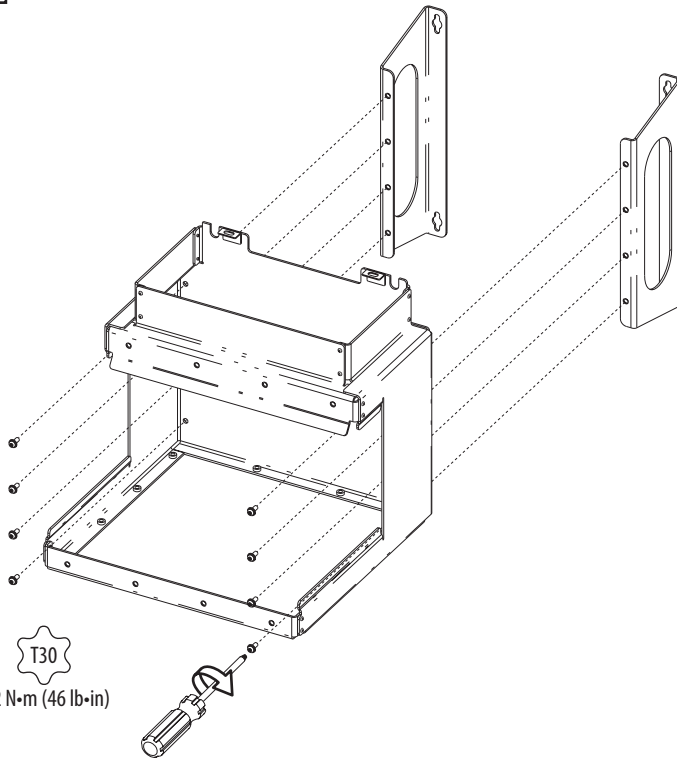


# Frame 7

20-750-NEMA1-F7

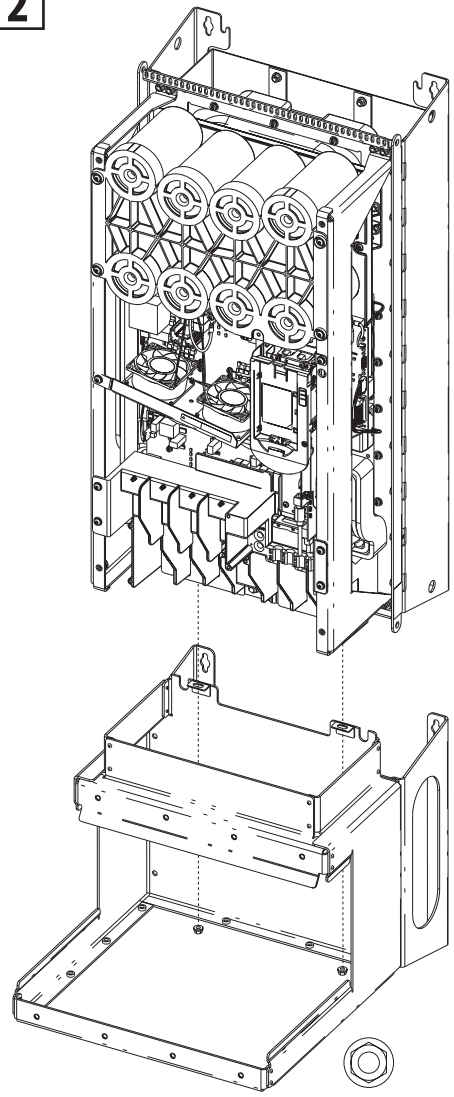


1



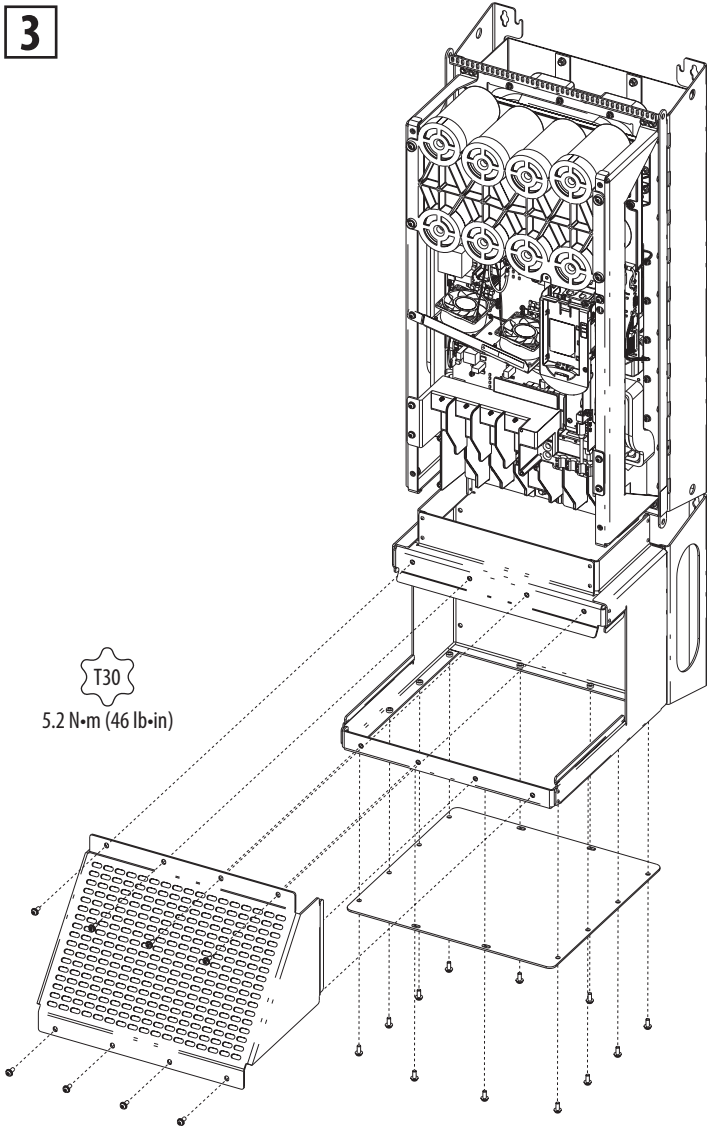
T30  
5.2 N·m (46 lb·in)

2

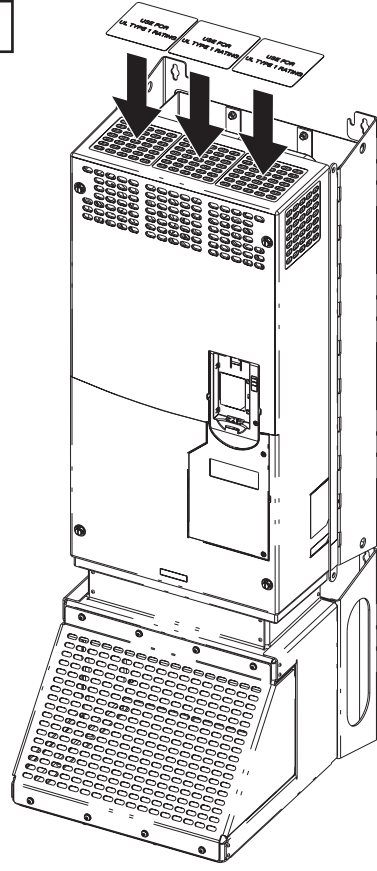


M6 x 1.0  
5.2 N·m (46 lb·in)

3



4



U.S. Allen-Bradley Drives Technical Support - Tel: (1) 262.512.8176, Fax: (1) 262.512.2222, E-mail: support@drives.ra.rockwell.com,  
 Online: www.ab.com/support/abdrives



PN-122162

[www.rockwellautomation.com](http://www.rockwellautomation.com)

**Power, Control and Information Solutions Headquarters**

Americas: Rockwell Automation, 1201 South Second Street, Milwaukee, WI 53204-2496 USA, Tel: (1) 414.382.2000, Fax: (1) 414.382.4444

Europe/Middle East/Africa: Rockwell Automation, Pegasus Park, De Kleetlaan 12a, 1831 Diegem, Belgium, Tel: (32) 2 663 0600, Fax: (32) 2 663 0640

Asia Pacific: Rockwell Automation, Level 14, Core F, Cyberport 3, 100 Cyberport Road, Hong Kong, Tel: (852) 2887 4788, Fax: (852) 2508 1846

Publication 750-IN008B-MU-P – November 2011

Supersedes 750-IN008A-MU-P – December 2008

Copyright © 2011 Rockwell Automation, Inc. All rights reserved. Printed in USA.